

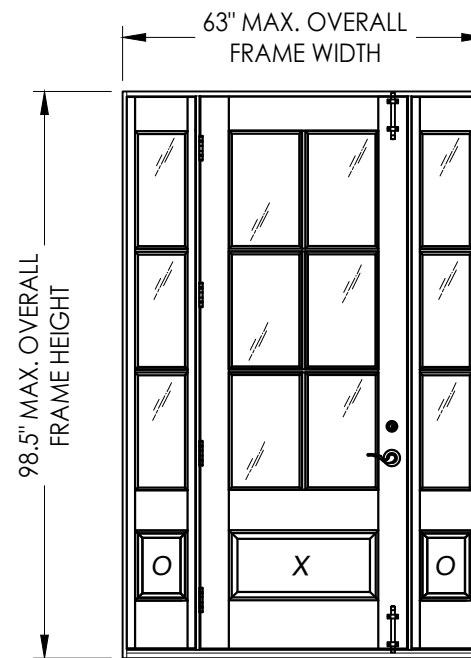
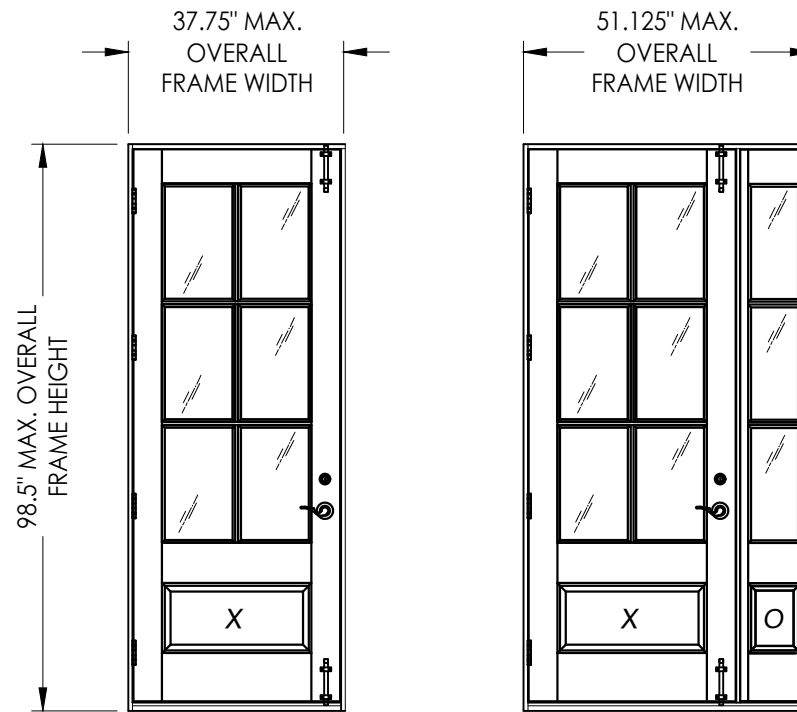


GLAZED WOOD ENTRY DOOR SINGLES w/ or w/out SIDELITE(S)

**INSWING
"NON-IMPACT"**

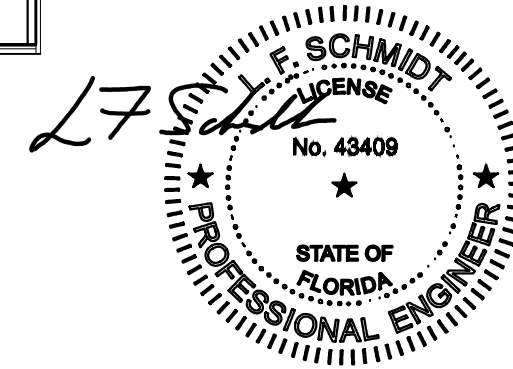
GENERAL NOTES

1. This product has been evaluated and is in compliance with the 8th Edition (2023) Florida Building Code (FBC) structural requirements excluding the "High Velocity Hurricane Zone" (HVHZ).
2. Product anchors shall be as listed and spaced as shown on details. Anchor embedment to base material shall be beyond wall dressing or stucco.
3. When used in areas requiring wind borne debris protection, this product is required to be protected with an impact resistant covering that complies with FBC Sections 1609.1.2 & R301.2.1.2.
4. For 2x stud framing construction, anchoring of these units shall be the same as that shown for 2x buck masonry construction.
5. Site conditions that deviate from the details of this drawing require further engineering analysis by a licensed engineer or registered architect.



CONTINUOUS HEAD & SILL

CONFIGURATION	MAX. FRAME DIMENSION	SURFACE BOLTS REQUIRED	DESIGN PRESSURE (PSF) INSWING	
			POSITIVE	NEGATIVE
X	37.75" x 98.5"	NO	+25.0	-30.0
		YES	+45.0	-50.0
XO/OX	51.125" x 98.5"	NO	+25.0	-30.0
		YES	+45.0	-50.0
OXO	63.0" x 98.5"	NO	+25.0	-30.0
		YES	+45.0	-50.0



This item has been digitally signed and sealed by L. F. Schmidt, P.E. on the date adjacent to the seal. Printed copies of this document are not considered signed and sealed and the signature must be verified on any electronic copies.

THIS PRODUCT APPROVAL IS VALID ONLY FOR THE STATE OF FLORIDA

TABLE OF CONTENTS	
SHEET #	DESCRIPTION
1	Typical Elevations, Design Pressures & General Notes
2	Door Panel Details
3	Sidelite Panel Details
4	Door Glazing & Panel Details
5	Elevations
6	Horizontal & Vertical Cross Sections (2X Buck)
7	Horizontal & Vertical Cross Sections (1X Buck)
8	Horizontal & Vertical Cross Sections (Direct to Masonry)
9	Horizontal & Vertical Cross Sections
10	Buck Anchoring
11	Frame Anchoring & Hardware Details
12	Bill of Materials & Components

Documents Prepared By:
Lyndon F. Schmidt
P.E. No. 43409

RW BUILDING CONSULTANTS, INC.
P.O. Box 230, Valrico, FL 33595
Phone No.: 813.659.9197
FBPE Registry No. 9813

PRODUCT: DOORSCAPES FIBERGLASS DOOR

PART OR ASSEMBLY: TYPICAL ELEVATION, DESIGN PRESSURES & GENERAL NOTES

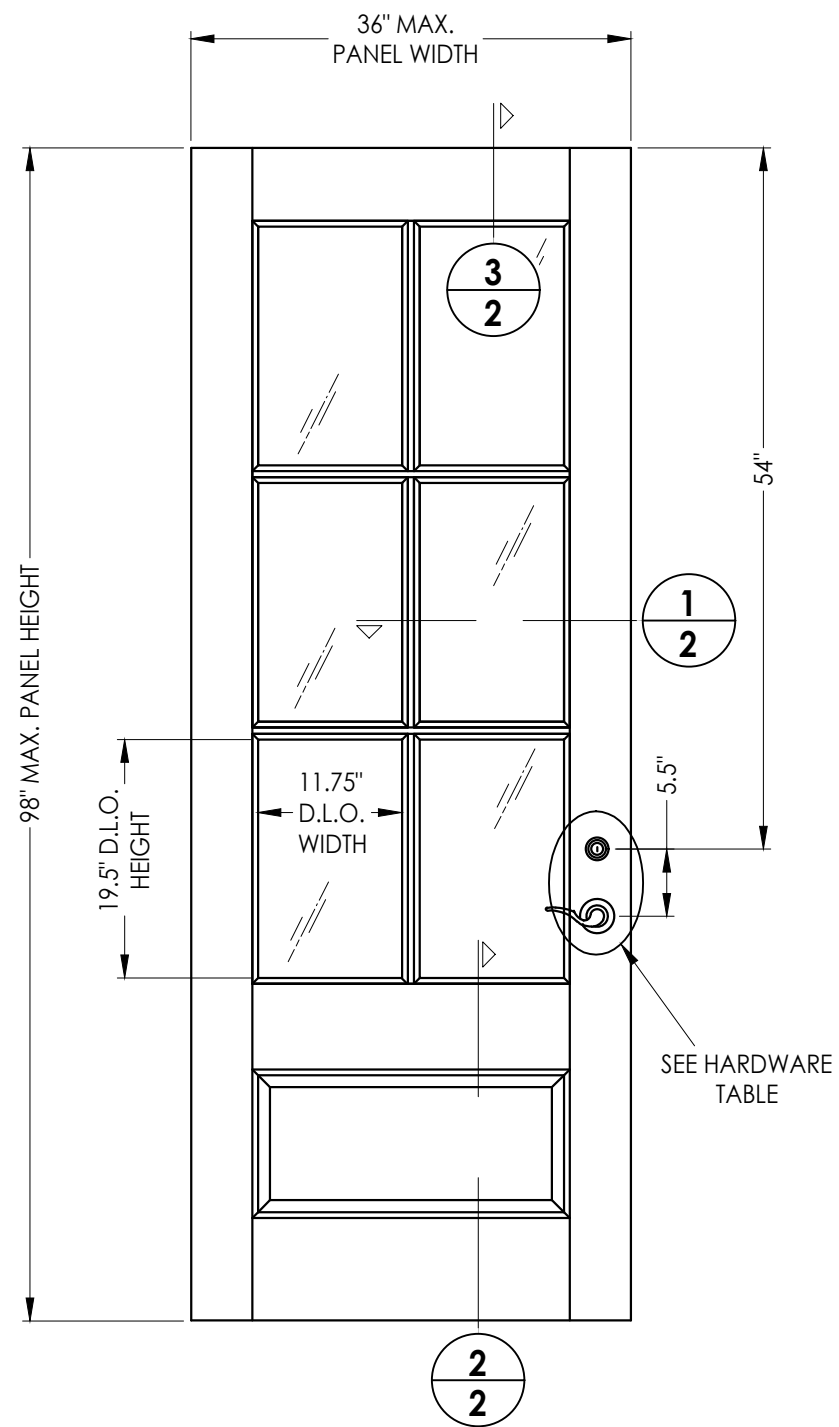
NO.	DATE	BY	REVISIONS
1	8/02/23	LFS	UPDATE TO 8TH ED. (2023) FBC

DATE: 3/07/22
SCALE: N.T.S.
DWG. BY: LFS
CHK. BY: RW
DRAWING NO.: FL-28833.2
SHEET 1 OF 12

© 2022 R.W. BUILDING CONSULTANTS INC.

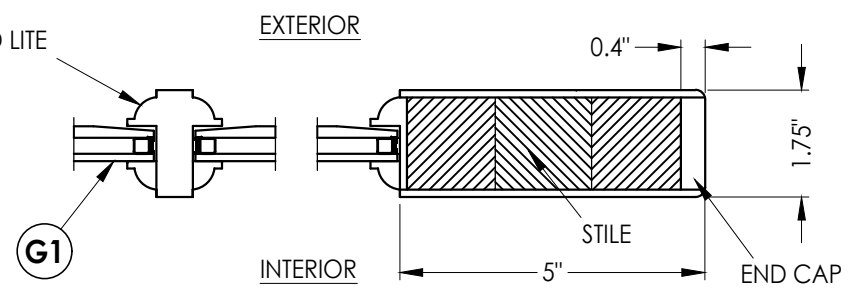
Z:\2023 FBC Drawings\Doorscapes, Inc\FL-28833 R3 Wood Door\FL28833.2-3.dwg

Z:\2023 FBC Drawings\Doorscapes, Inc\FL-28833 R3 Wood Door\FL28833.2-3.dwg

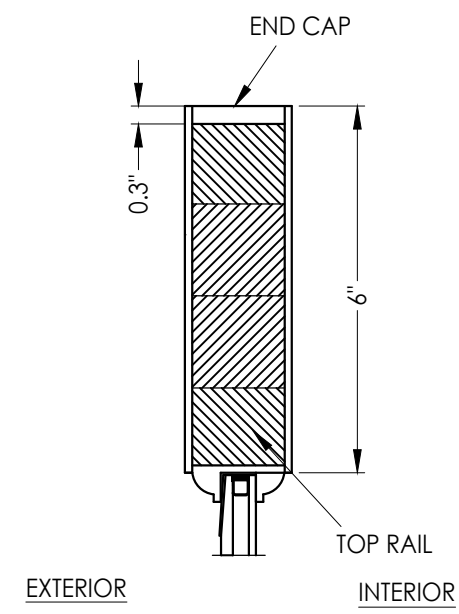


40 WOOD DOOR PANEL
Doorscapes

WOOD DOOR COMPONENTS:
OUTER VANEER (3mm) & END CAPS: ALDER (G= 0.4 MIN.)
CORE: PINE (G= 0.4 MIN.)

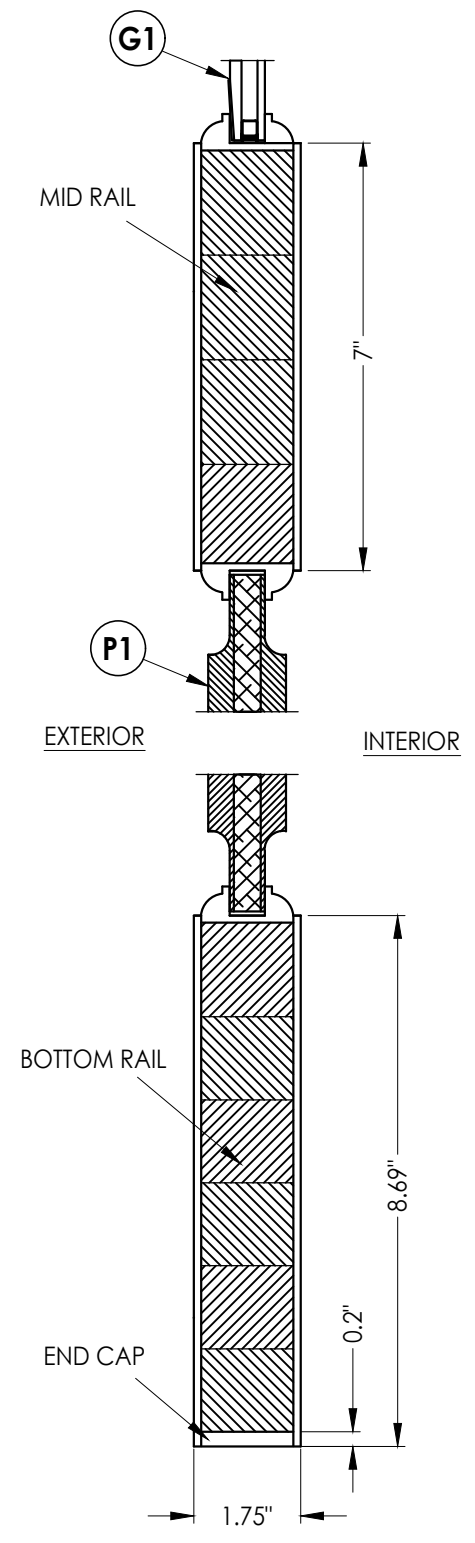


1 HORIZONTAL CROSS SECTION



3 VERTICAL CROSS SECTION

HARDWARE TABLE	
MANUFACTURER	MODEL
YALE	LEVER: YALE EDGE SERIES DEADBOLT: YALE EDGE SERIES



2 VERTICAL CROSS SECTION

Documents Prepared By:
Lyndon F. Schmidt
P.E. No. 43409

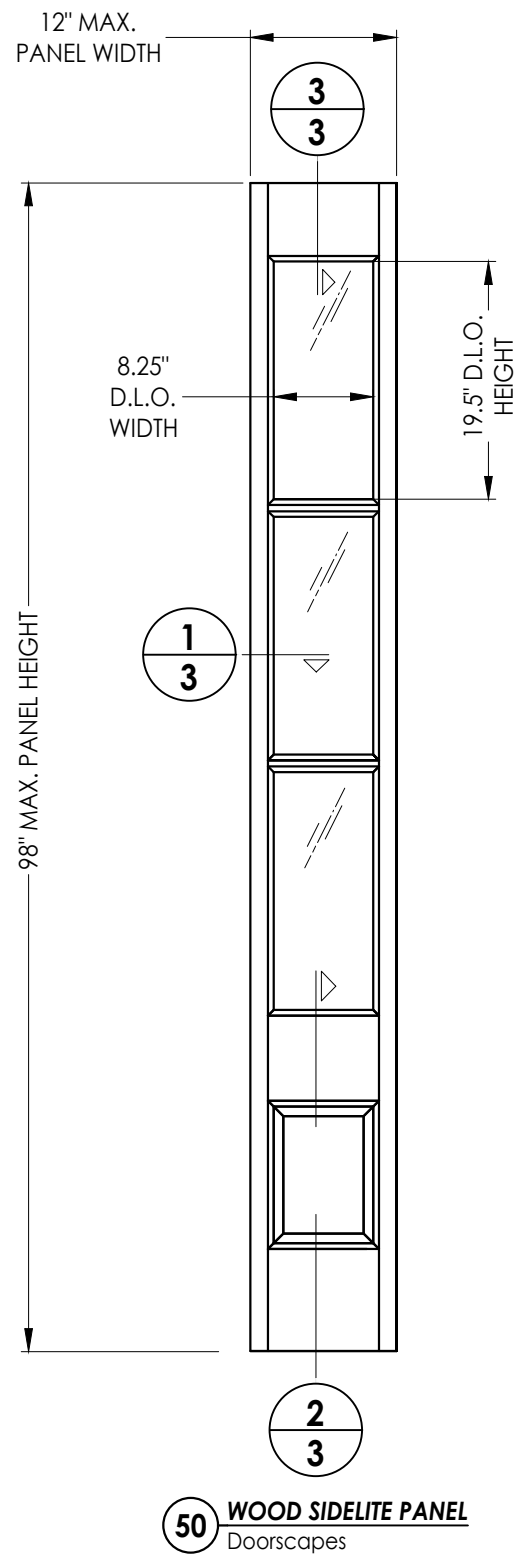
RW BUILDING CONSULTANTS, INC.
P.O. Box 230, Vairico, FL 33595
Phone No.: 813.659.9197
FBPE Registry No. 9813

PRODUCT: DOORSCAPES
FIBERGLASS DOOR

PART OR ASSEMBLY:
DOOR PANEL DETAILS

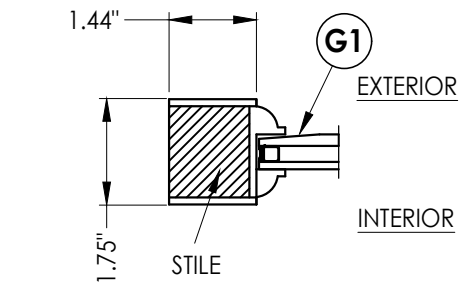
NO.	DATE	BY	REVISIONS
1	8/02/23	FBC	UPDATE TO 8TH ED. (2023)

DATE: 3/07/22
SCALE: N.T.S.
DWG. BY: LFS
CHK. BY: RW
DRAWING NO.: FL-28833.2
SHEET 2 OF 12

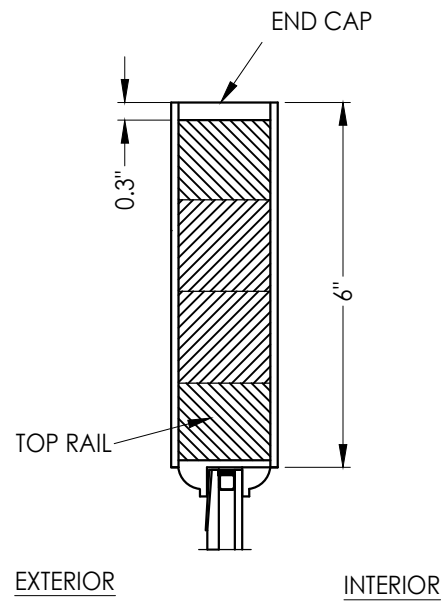


50 WOOD SIDELITE PANEL
Doorscapes

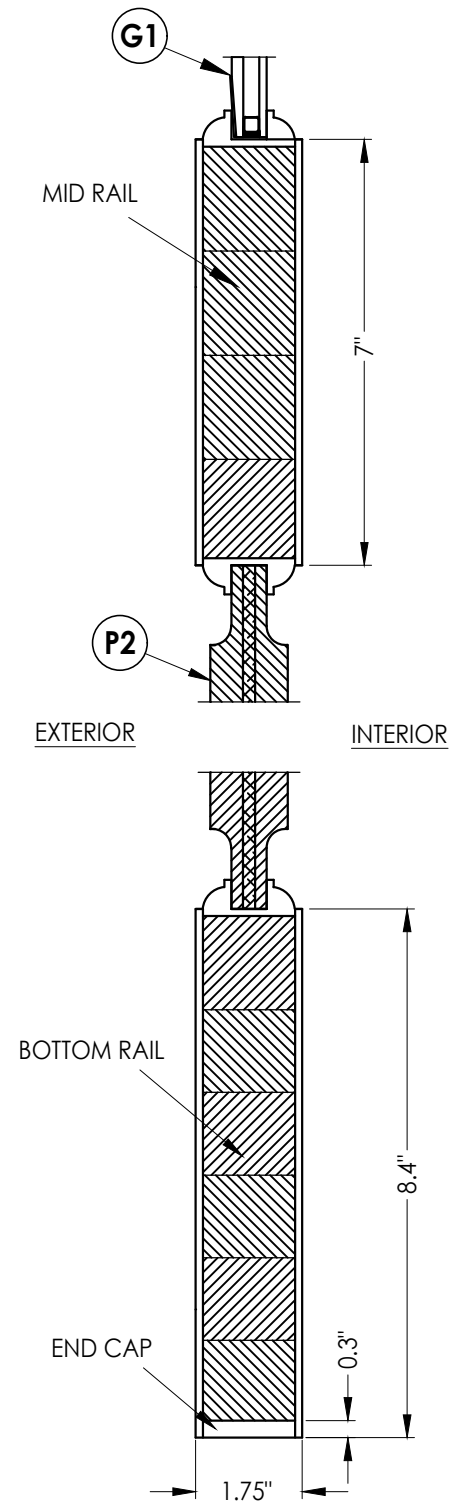
WOOD SIDELITE COMPONENTS:
 OUTER VANEER (3mm) & END CAPS: ALDER (G= 0.4 MIN.)
 CORE: PINE (G= 0.4 MIN.)



1-3 VERTICAL CROSS SECTION



3-3 VERTICAL CROSS SECTION



2-3 VERTICAL CROSS SECTION

Documents Prepared By:
 Lyndon F. Schmidt
 P.E. No. 43409

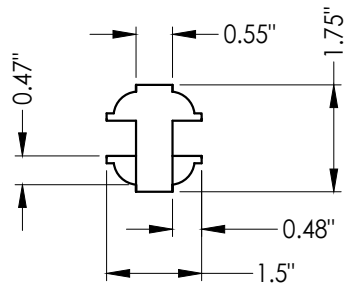
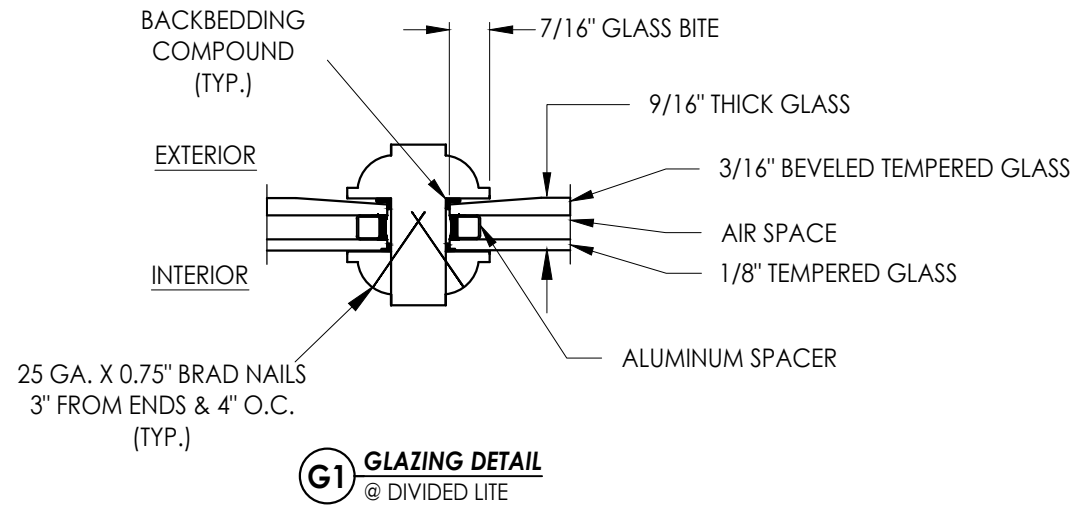
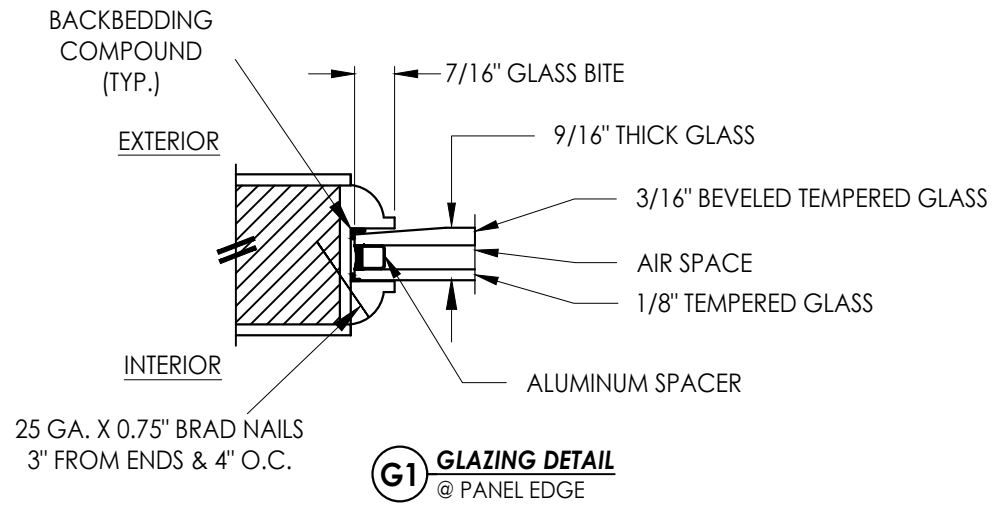
RW
 BUILDING CONSULTANTS, INC.
 P.O. Box 230, Valrico, FL 33595
 Phone No.: 813.659.9197
 FBPE Registry No. 9813

PRODUCT: DOORSCAPES
 FIBERGLASS DOOR

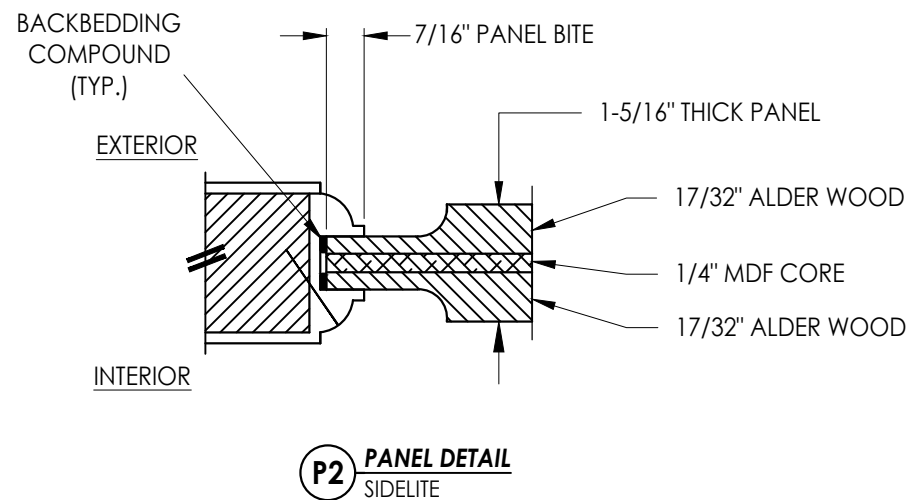
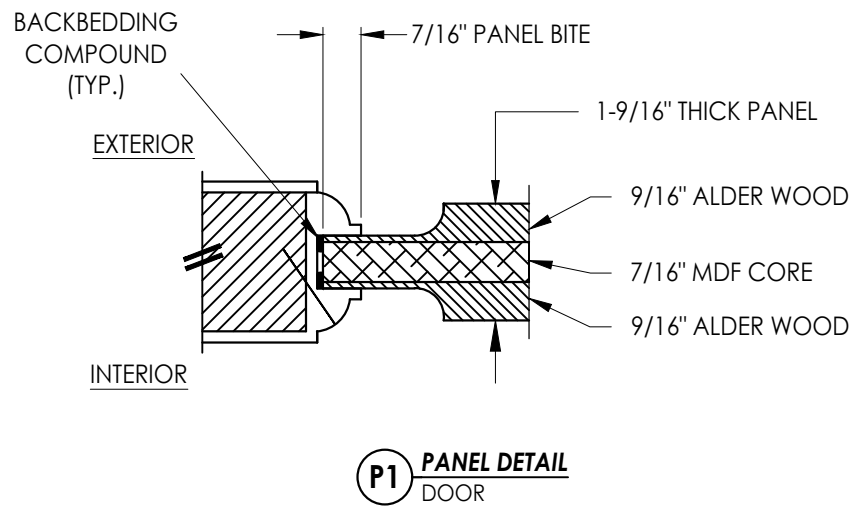
PART OR ASSEMBLY:
 SIDELITE PANEL DETAILS

NO.	DATE	REVISIONS	LFS	BY
1	8/02/23	UPDATE TO 8TH ED. (2023) FBC		

DATE: 3/07/22
 SCALE: N.T.S.
 DWG. BY: LFS
 CHK. BY: RW
 DRAWING NO.: FL-28833.2
 SHEET 3 OF 12



TRUE DIVIDED LITE MUNTIN



Documents Prepared By:
Lyndon F. Schmidt
P.E. No. 43409

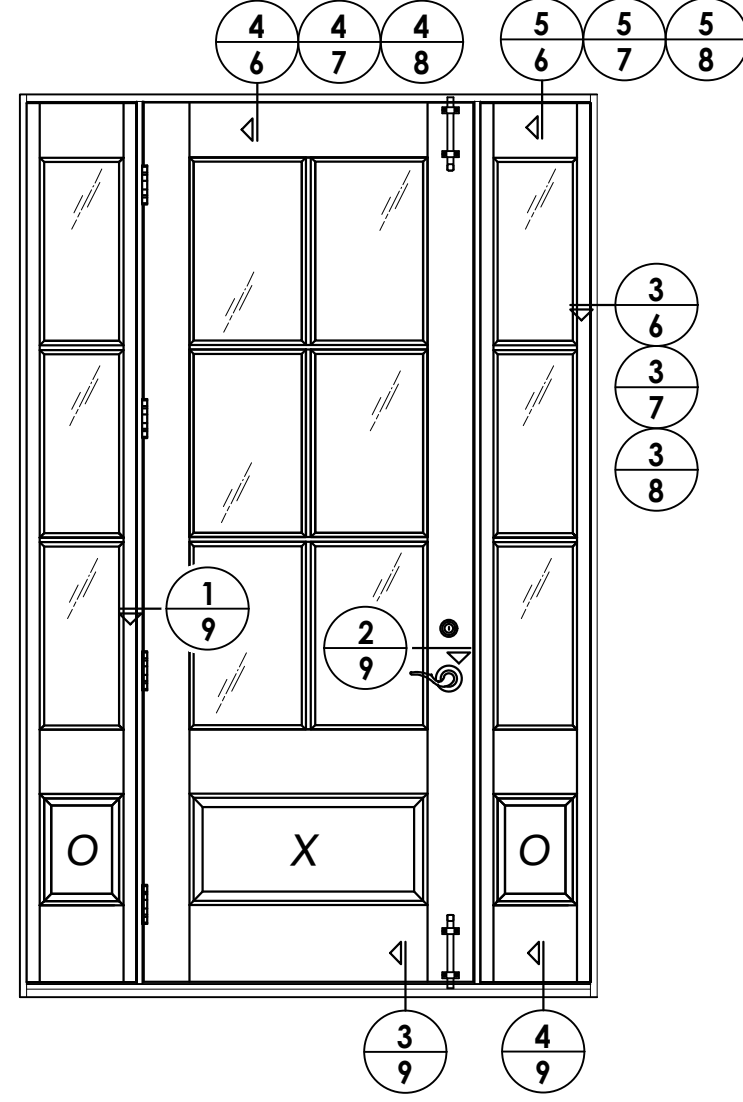
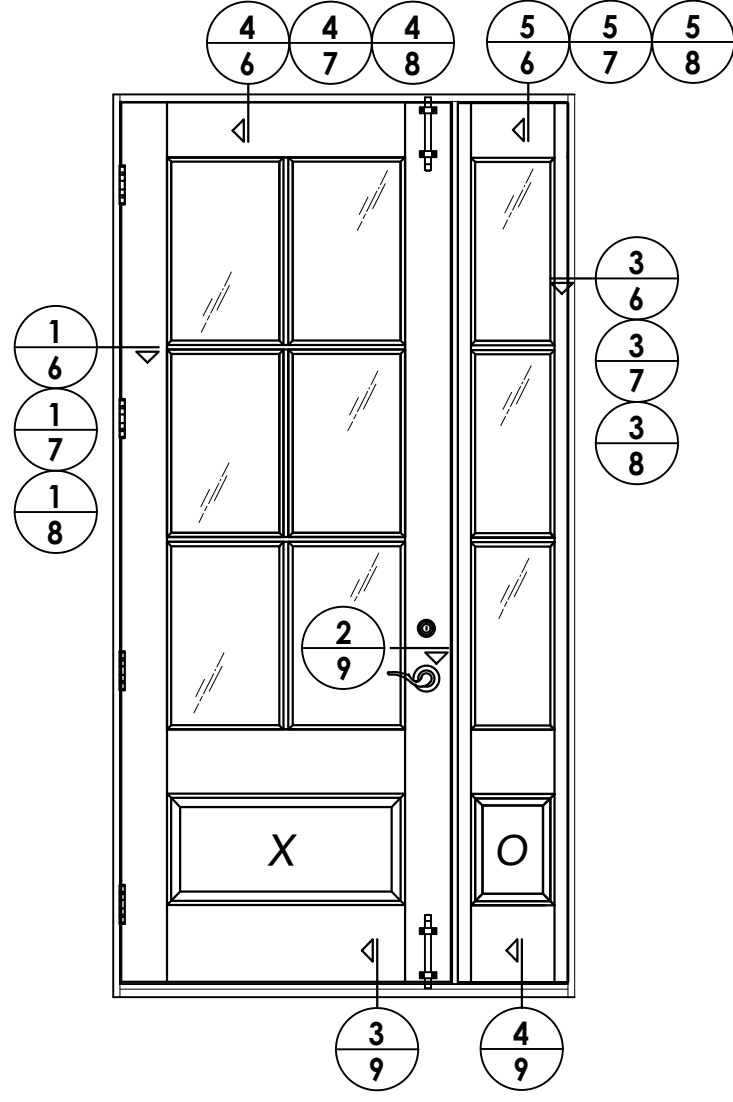
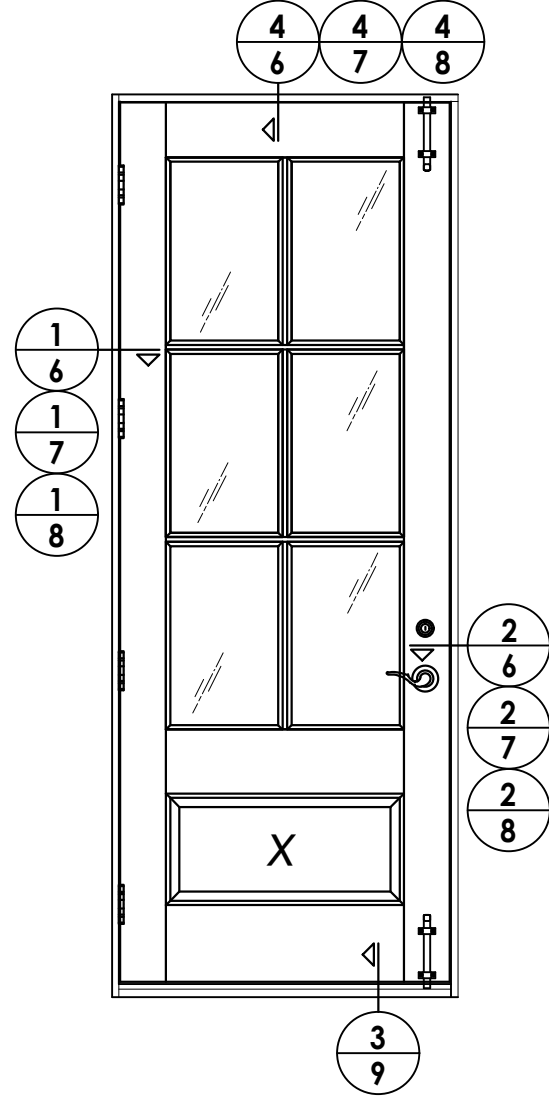
RW
BUILDING CONSULTANTS, INC.
P.O. Box 230, Valrico, FL 33595
Phone No.: 813.659.9197
FBPE Registry No. 9813

PRODUCT: DOORSCAPES
FIBERGLASS DOOR

PART OR ASSEMBLY:
DOOR GLAZING
& PANEL DETAILS

NO.	DATE	REVISIONS
1	8/02/23	UPDATE TO 8TH ED. (2023) FBC
		LFS
		BY

DATE: 3/07/22
SCALE: N.T.S.
DWG. BY: LFS
CHK. BY: RW
DRAWING NO.: FL-28833.2
SHEET 4 of 12



DATE: 3/07/22
 SCALE: N.T.S.
 DWG. BY: LFS
 CHK. BY: RW
 DRAWING NO.:
 FL-28833.2

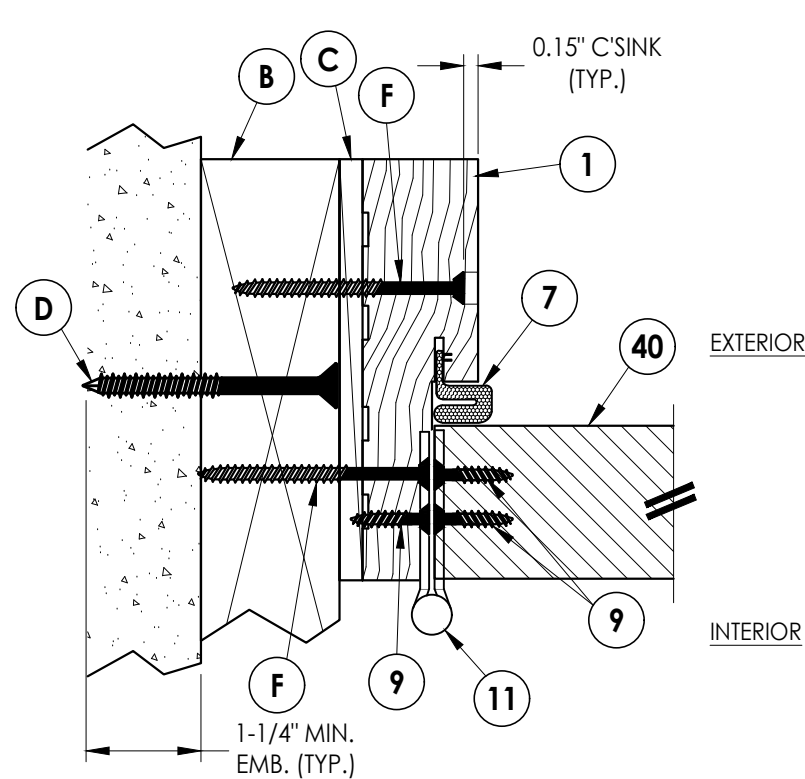
REVISIONS	
NO.	DATE
1	8/02/23
	UPDATE TO 8TH ED. (2023) FBC
LFS	BY

PRODUCT: DOORSCAPES
 FIBERGLASS DOOR

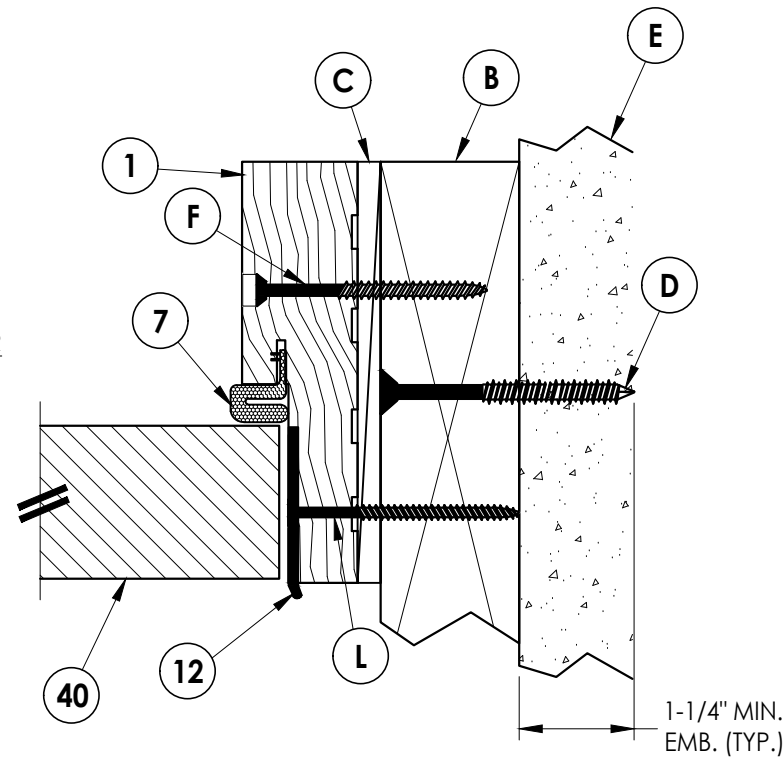
PART OR ASSEMBLY:
 ELEVATIONS

Documents Prepared By:
 Lyndon F. Schmidt
 P.E. No. 43409

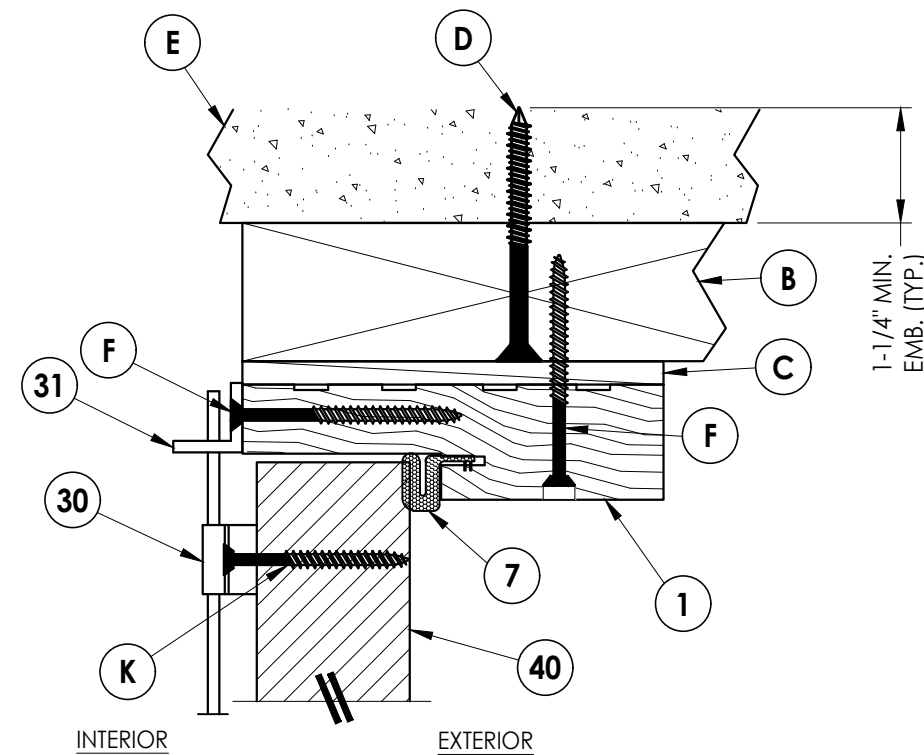
RW
 BUILDING CONSULTANTS, INC.
 P.O. Box 230, Vairico, FL 33595
 Phone No.: 813.659.9197
 FBPE Registry No. 9813



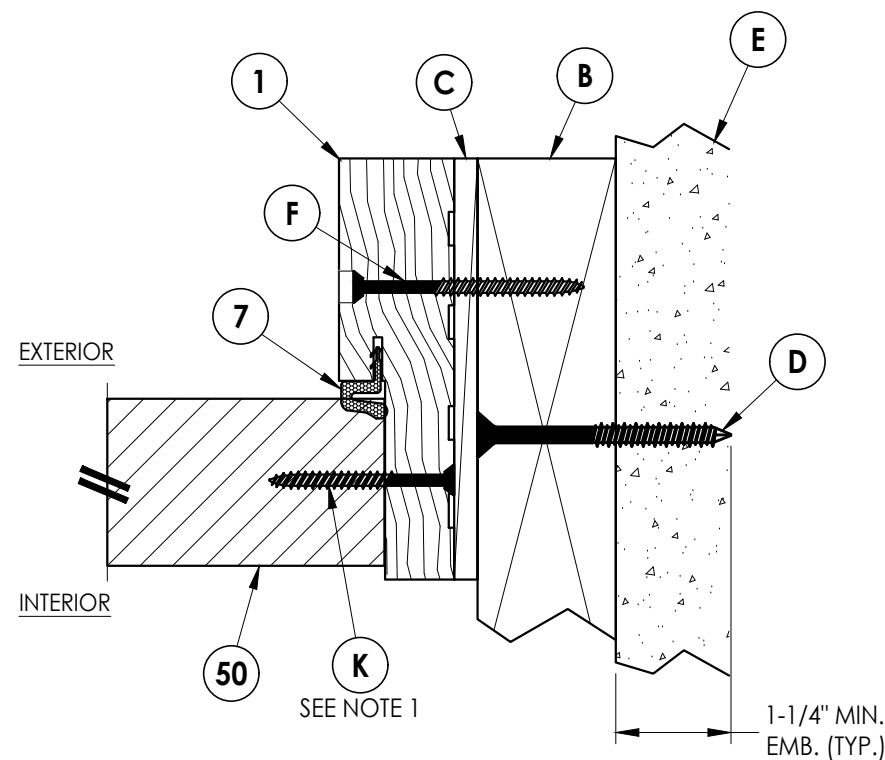
1
6 HORIZONTAL CROSS SECTION
2X Buck Construction



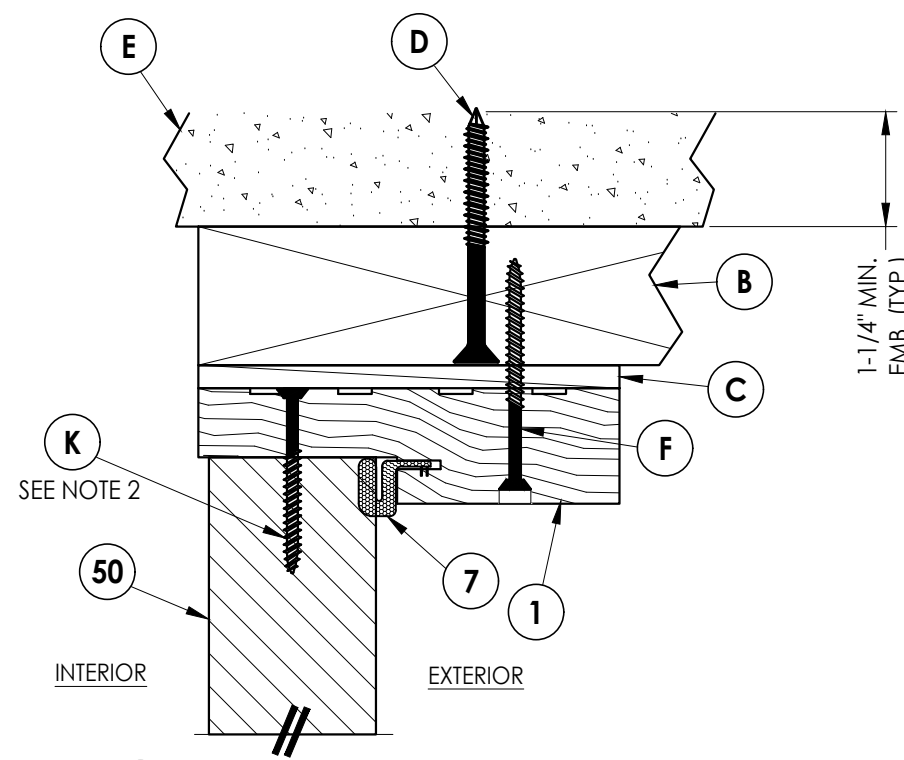
2
6 HORIZONTAL CROSS SECTION
2X Buck Construction



4
6 VERTICAL CROSS SECTION
2X Buck Construction



3
6 HORIZONTAL CROSS SECTION
2X Buck Construction



5
6 VERTICAL CROSS SECTION
2X Buck Construction

- NOTES:
 1. Sidelite attached @ 4" from each end plus 3 more screws equally spaced between (5 screws total per jamb.)
 2. Sidelite attached @ 3" from each end (2 total).

Documents Prepared By:
 Lyndon F. Schmidt
 P.E. No. 43409

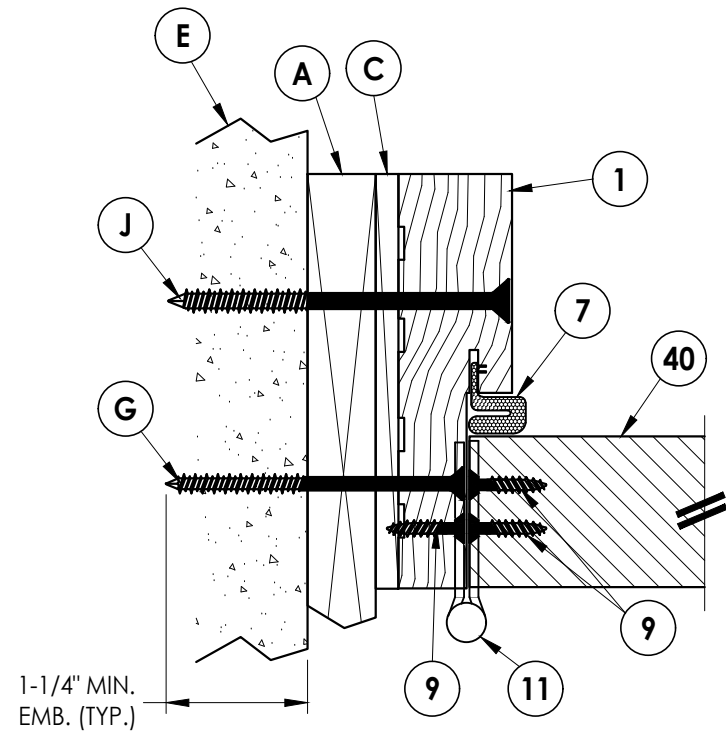
RW
 BUILDING CONSULTANTS, INC.
 P.O. Box 230, Valrico, FL 33595
 Phone No.: 813.659.9197
 FBPE Registry No. 9813

PRODUCT: DOORSCAPES
 FIBERGLASS DOOR

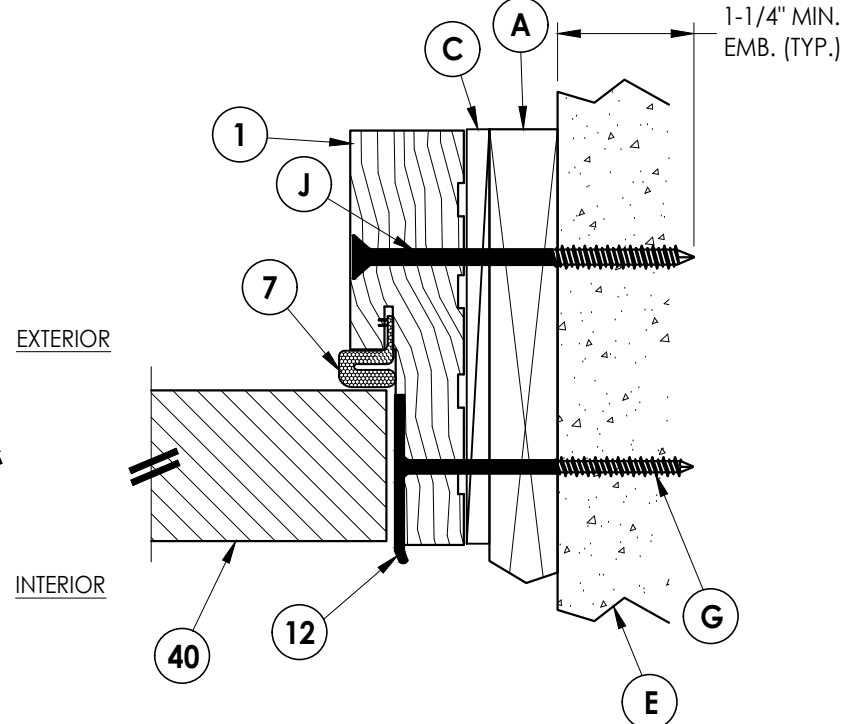
PART OR ASSEMBLY:
 HORIZONTAL & VERTICAL
 CROSS SECTIONS (2X BUCK)

NO.	DATE	REVISIONS	LFS	BY
1	8/02/23	UPDATE TO 8TH ED. (2023)	FBC	

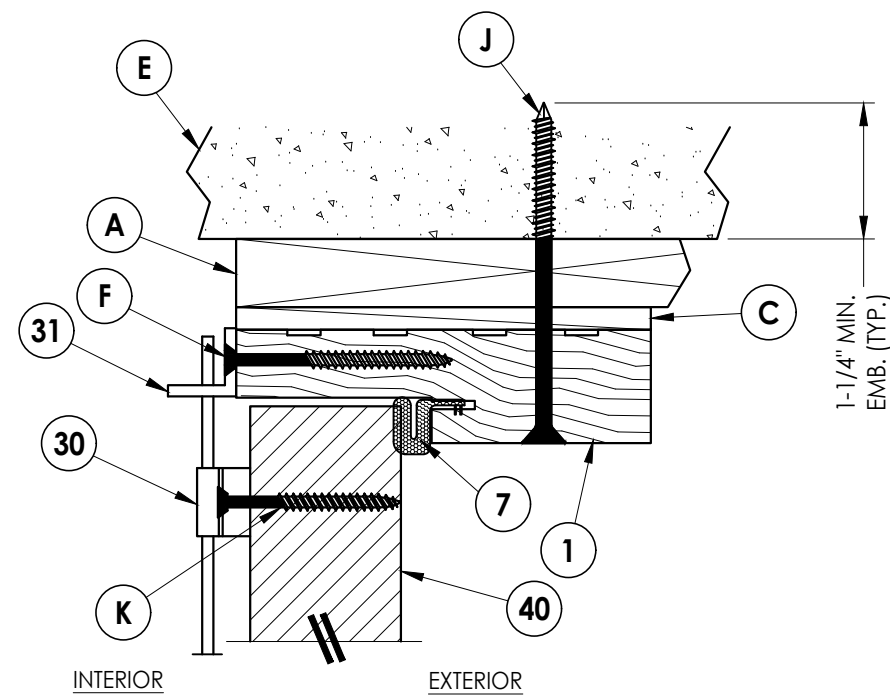
DATE:	3/07/22
SCALE:	N.T.S.
DWG. BY:	LFS
CHK. BY:	RW
DRAWING NO.:	FL-28833.2
SHEET	6 OF 12



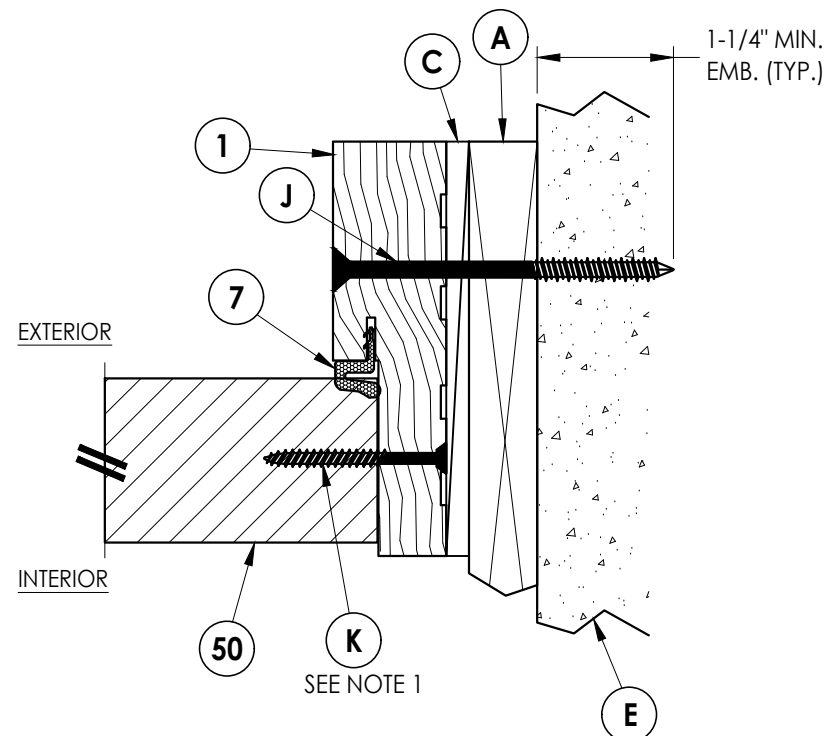
1
7 **HORIZONTAL CROSS SECTION**
1X Buck Construction



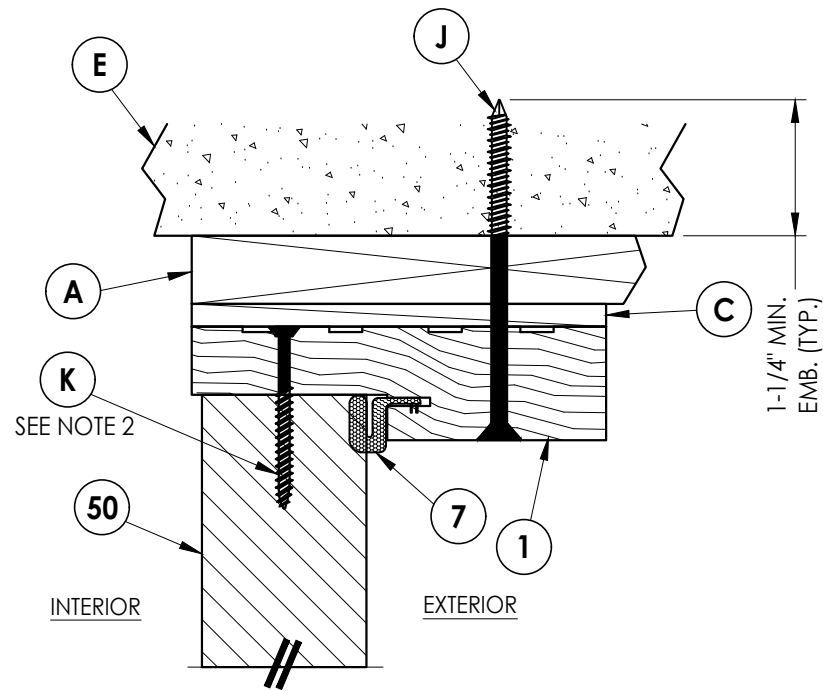
2
7 **HORIZONTAL CROSS SECTION**
1X Buck Construction



4
7 **VERTICAL CROSS SECTION**
1X Buck Construction



3
7 **HORIZONTAL CROSS SECTION**
1X Buck Construction



5
7 **VERTICAL CROSS SECTION**
1X Buck Construction

NOTES:

- Sidelite attached @ 4" from each end plus 3 more screws equally spaced between (5 screws total per jamb.)
- Sidelite attached @ 3" from each end (2 total).

Documents Prepared By:
Lyndon F. Schmidt
P.E. No. 43409

RW BUILDING CONSULTANTS, INC.
P.O. Box 230, Valrico, FL 33595
Phone No.: 813.659.9197
FBPE Registry No. 9813

PRODUCT: DOORSCAPES
FIBERGLASS DOOR

PART OR ASSEMBLY:
HORIZONTAL & VERTICAL
CROSS SECTIONS (1X BUCK)

NO.	DATE	REVISIONS	LFS	BY
1	8/02/23	UPDATE TO 8TH ED. (2023) FBC		

DATE: 3/07/22

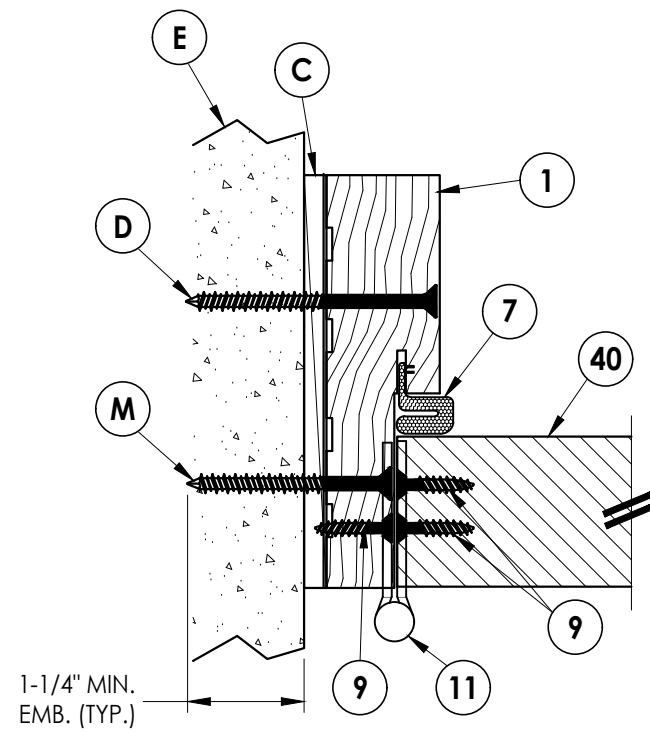
SCALE: N.T.S.

DWG. BY: LFS

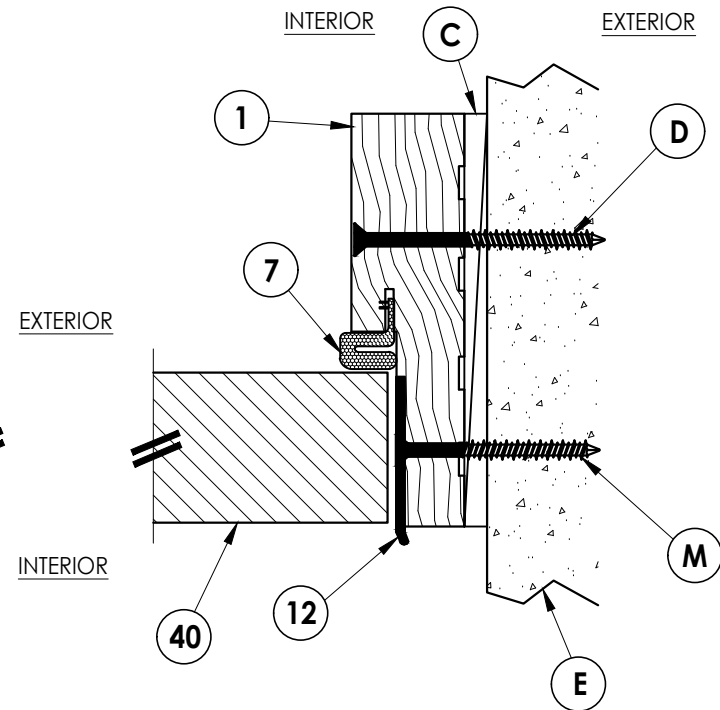
CHK. BY: RW

DRAWING NO.:
FL-28833.2

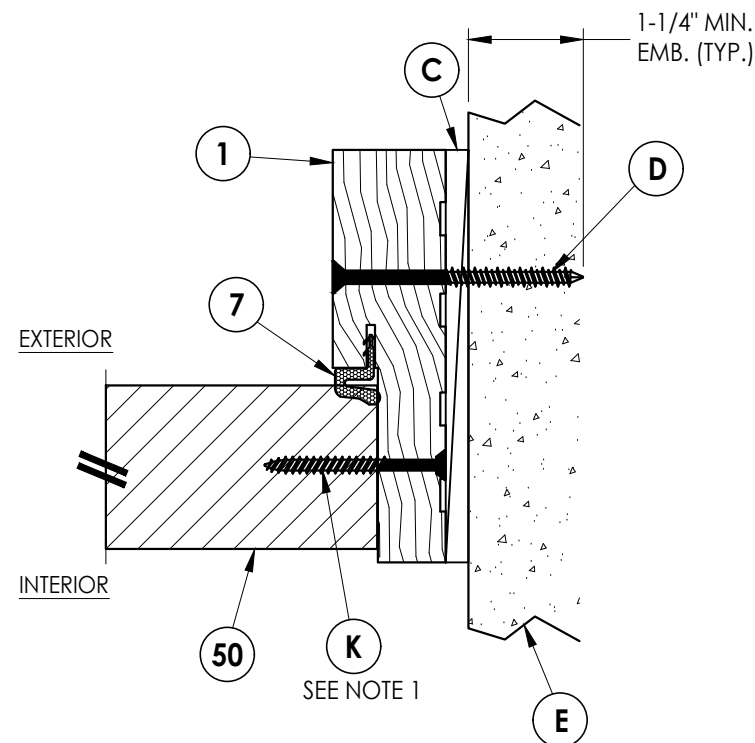
SHEET 7 OF 12



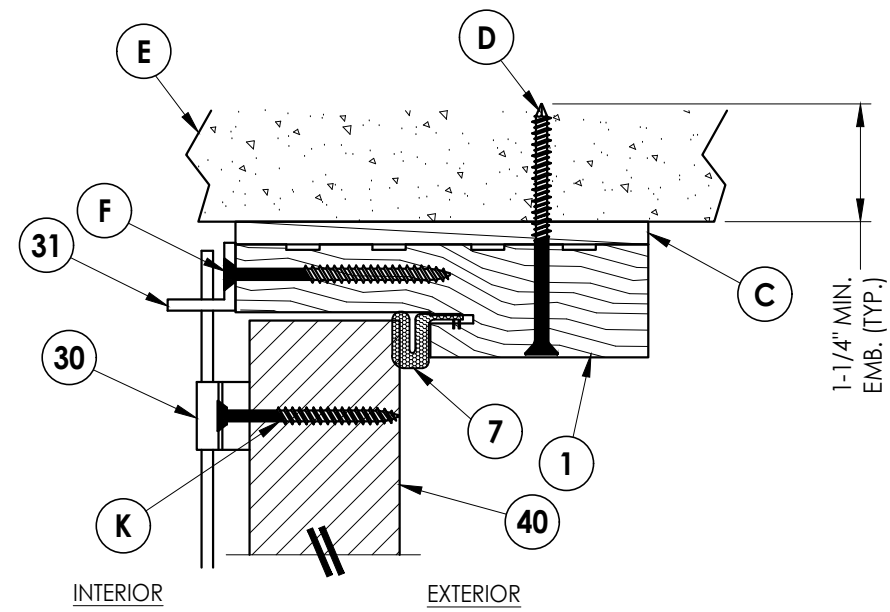
1
8 **HORIZONTAL CROSS SECTION**
Shown Direct to Masonry



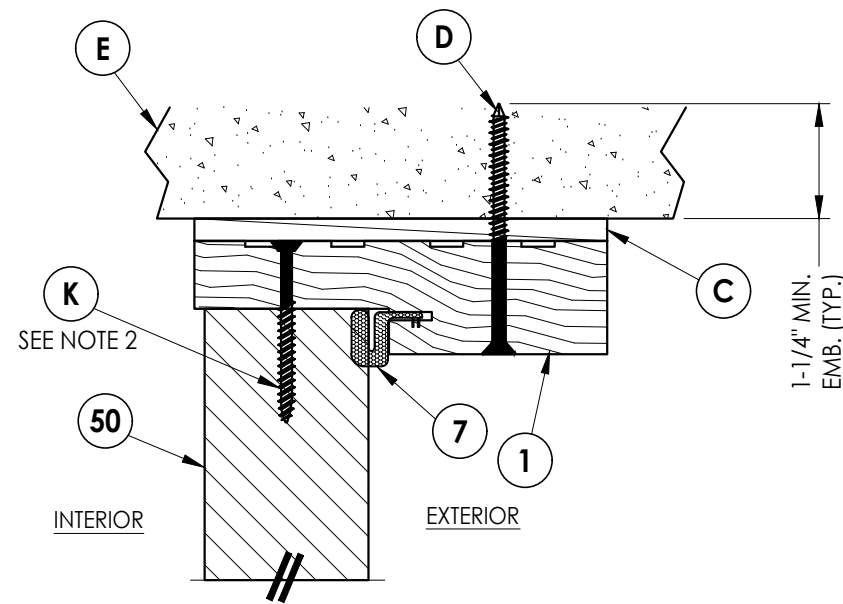
2
8 **HORIZONTAL CROSS SECTION**
Shown Direct to Masonry



3
8 **HORIZONTAL CROSS SECTION**
Shown Direct to Masonry



4
8 **VERTICAL CROSS SECTION**
Shown Direct to Masonry



5
8 **VERTICAL CROSS SECTION**
Shown Direct to Masonry

NOTES:

- Sidelite attached @ 4" from each end plus 3 more screws equally spaced between (5 screws total per jamb.)
- Sidelite attached @ 3" from each end (2 total).

Documents Prepared By:
Lyndon F. Schmidt
P.E. No. 43409

RW
BUILDING CONSULTANTS, INC.
P.O. Box 230, Valrico, FL 33595
Phone No.: 813.659.9197
FBPE Registry No. 9813

PRODUCT: DOORSCAPES
FIBERGLASS DOOR
PART OR ASSEMBLY:
HORIZONTAL & VERTICAL CROSS
SECTIONS (DIRECT TO MASONRY)

NO.	DATE	BY	LFS
1	8/02/23	FBC	BY

DATE: 3/07/22

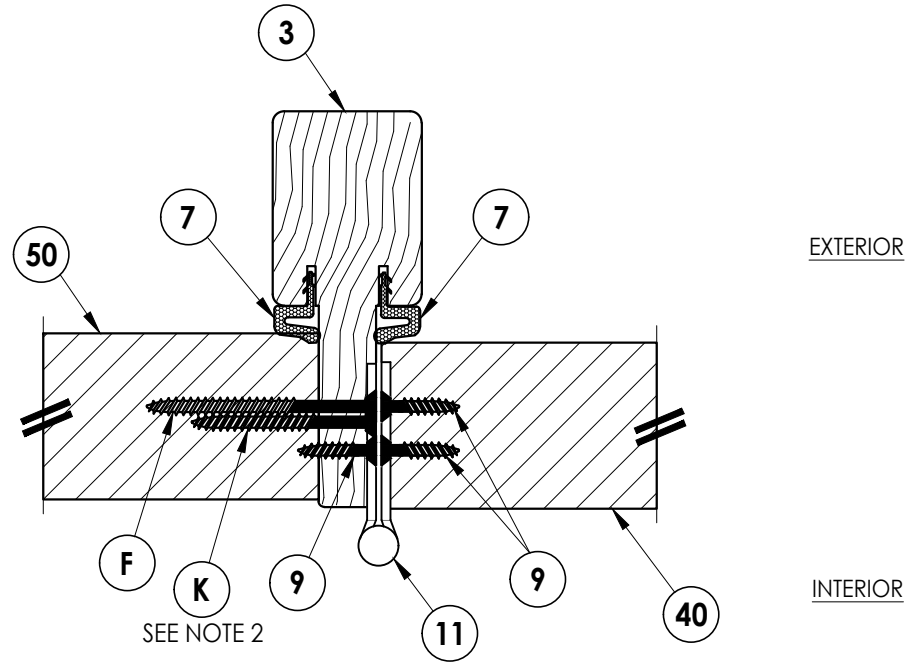
SCALE: N.T.S.

DWG. BY: LFS

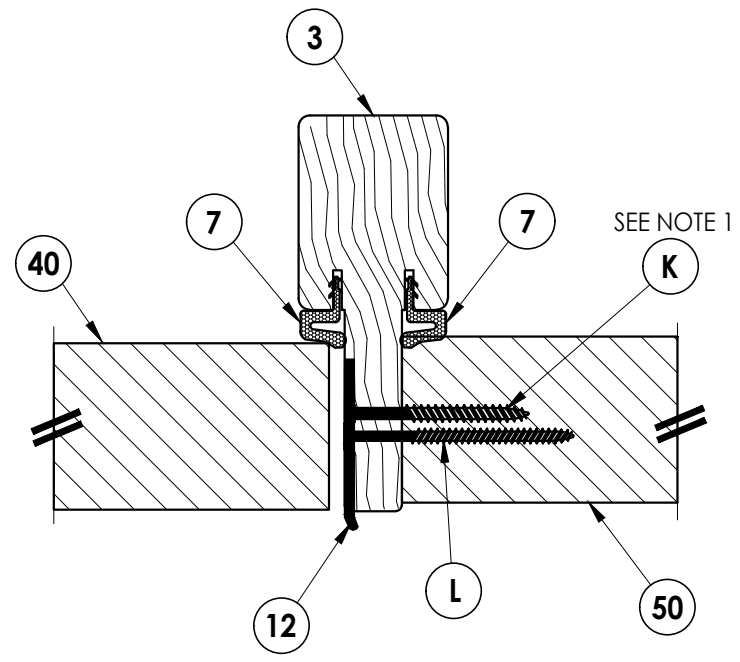
CHK. BY: RW

DRAWING NO.: FL-28833.2

SHEET 8 OF 12

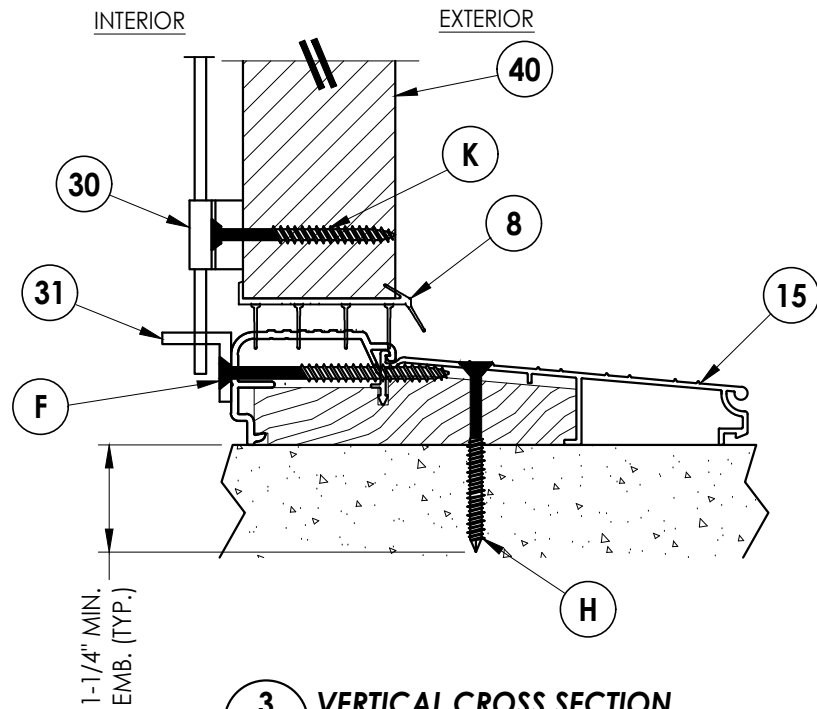


1
9 **HORIZONTAL CROSS SECTION**

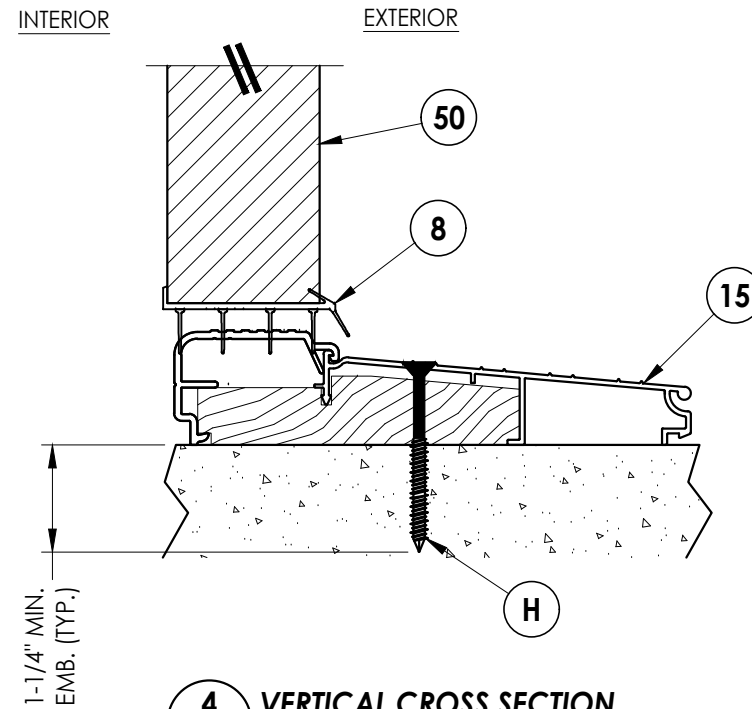


2
9 **HORIZONTAL CROSS SECTION**

- NOTES:**
1. Sidelite attached @ 4" from each end plus 3 more screws equally spaced between (5 screws total per jamb.)
 2. Sidelite attached w/ 1 screw equally spaced between each hinge (3 screws total per mullion).



3
9 **VERTICAL CROSS SECTION**



4
9 **VERTICAL CROSS SECTION**

Documents Prepared By:
Lyndon F. Schmidt
P.E. No. 43409

RW
BUILDING CONSULTANTS, INC.
P.O. Box 230, Valrico, FL 33595
Phone No.: 813.659.9197
FBPE Registry No. 9813

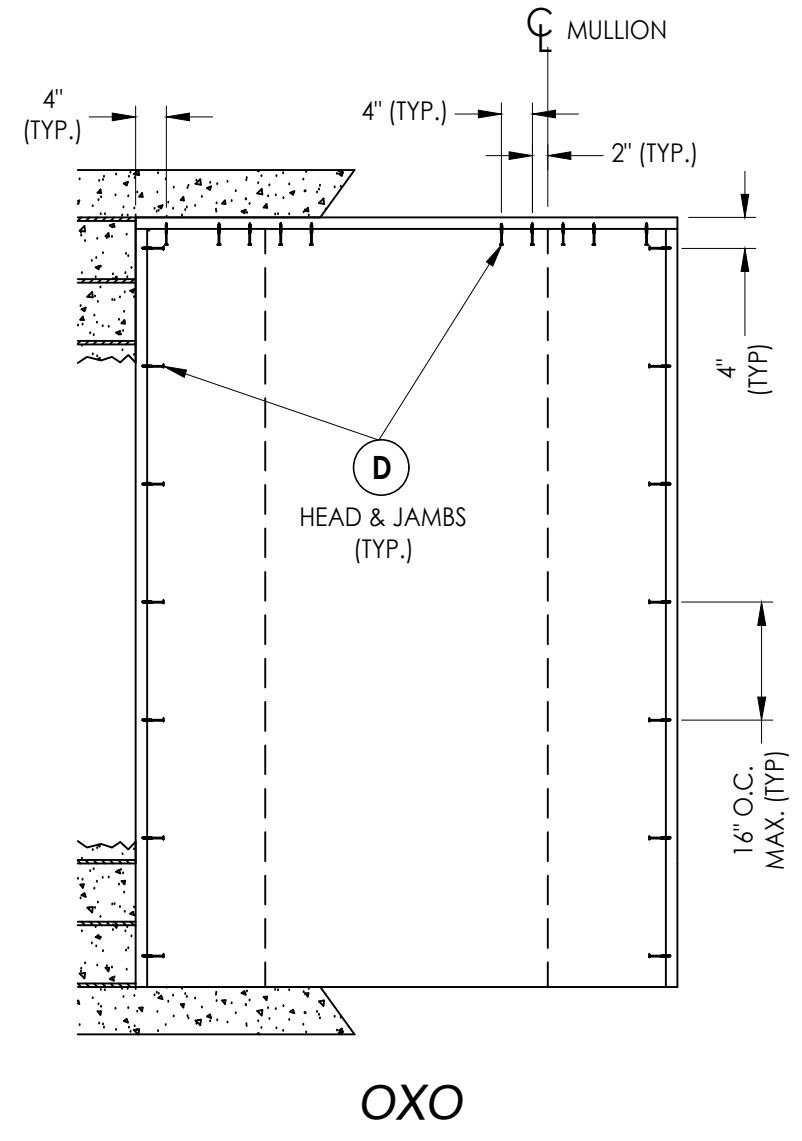
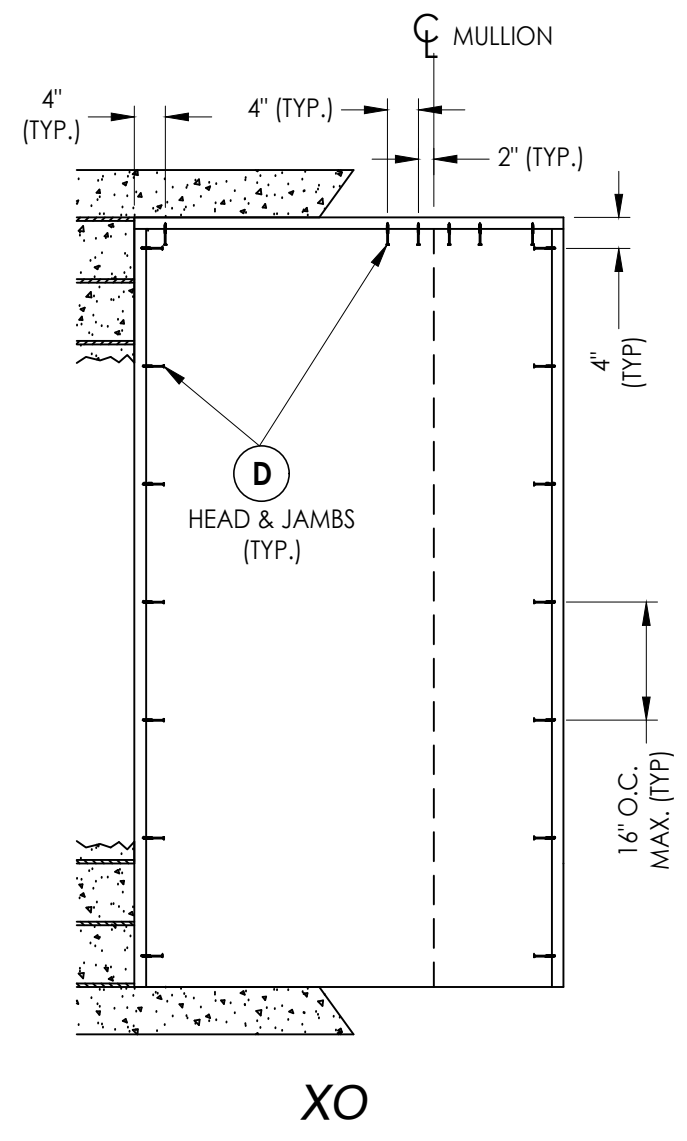
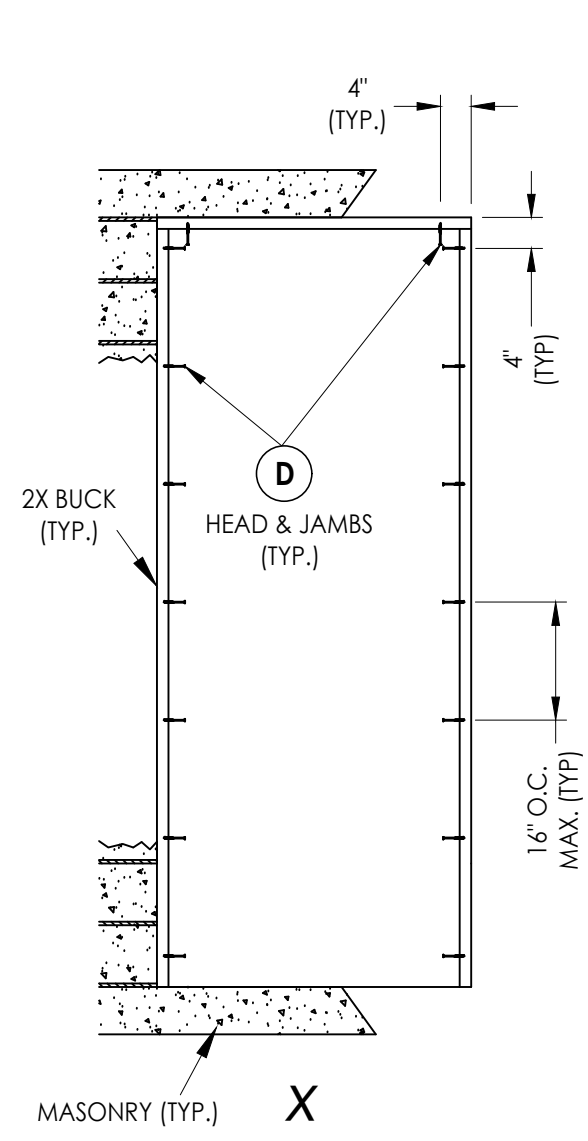
PRODUCT: DOORSCAPES
FIBERGLASS DOOR

PART OR ASSEMBLY:
HORIZONTAL & VERTICAL
CROSS SECTIONS

NO.	DATE	REVISIONS
1	8/02/23	UPDATE TO 8TH ED. (2023) FBC

DATE: 3/07/22
SCALE: N.T.S.
DWG. BY: LFS
CHK. BY: RW
DRAWING NO.: FL-28833.2
SHEET 9 of 12

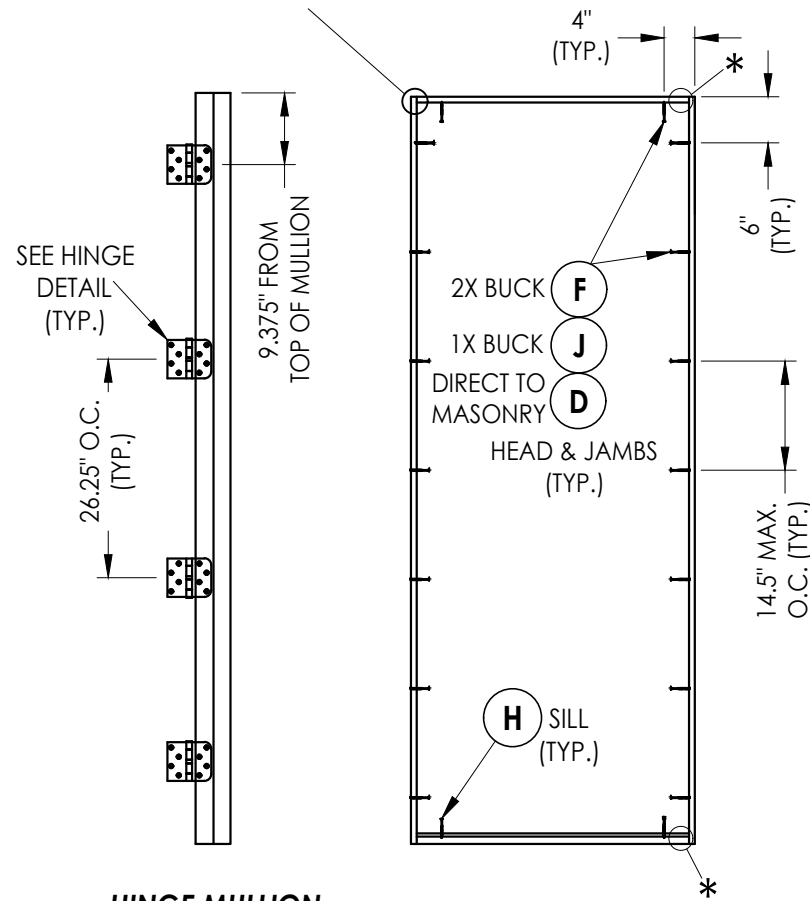
Z:\2023 FBC Drawings\DoorScapes, Inc\FL-28833 R3 Wood Door\FL28833.2-3.dwg



2X BUCK ANCHORING

Documents Prepared By: Lyndon F. Schmidt P.E. No. 43409		BUILDING CONSULTANTS, INC. P.O. Box 230, Valrico, FL 33595 Phone No.: 813.659.9197 FBPE Registry No. 9813	
PRODUCT: DOORSCAPES FIBERGLASS DOOR		PART OR ASSEMBLY: BUCK ANCHORING	
		REVISIONS	
NO.	DATE	BY	
1	8/02/23	LFS	UPDATE TO 8TH ED. (2023) FBC
DATE: 3/07/22			
SCALE: N.T.S.			
DWG. BY: LFS			
CHK. BY: RW			
DRAWING NO.: FL-28833.2			
SHEET 10 OF 12			

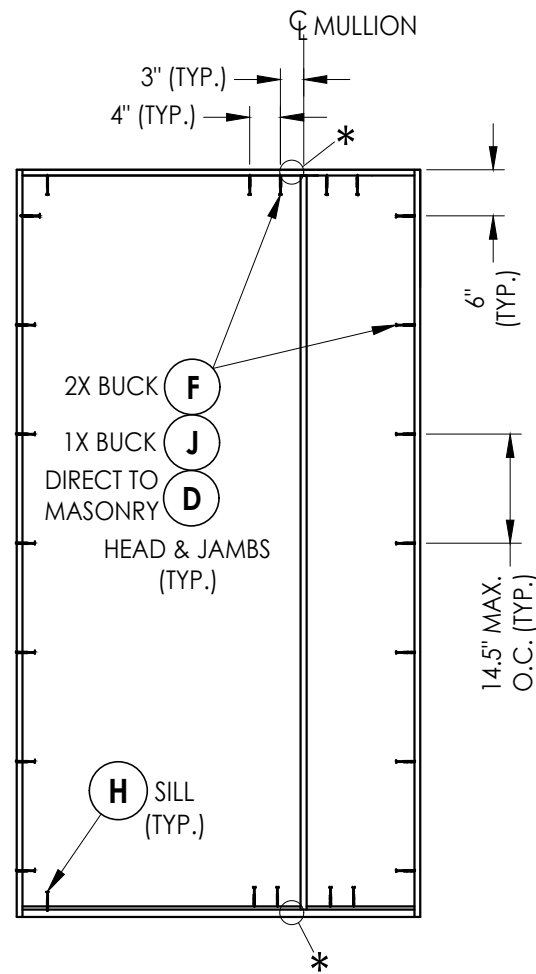
FRAME CORNERS ATTACHED w/
(3) #10 X 3" TRIM SCREWS (TYP.)



HINGE MULLION

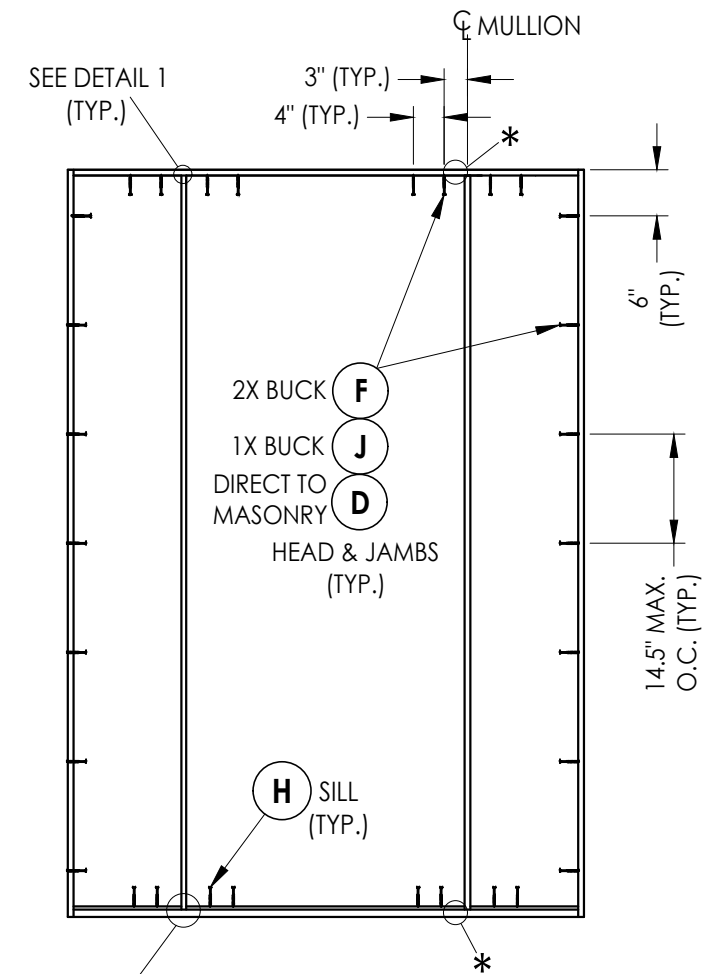
X

*SEE SURFACE BOLT GUIDE PLATE DETAIL (TYP.)



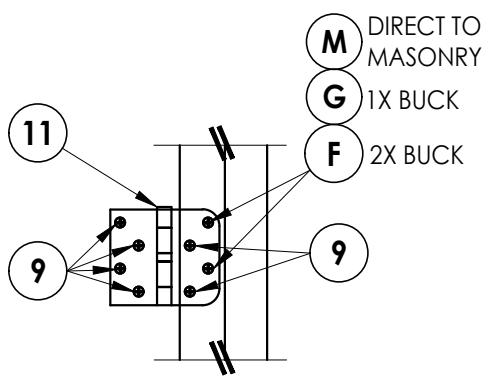
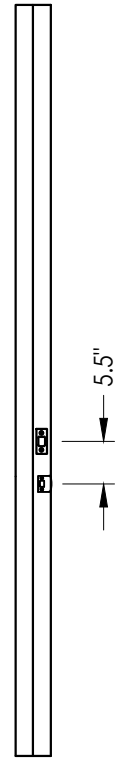
XO

FRAME ANCHORING

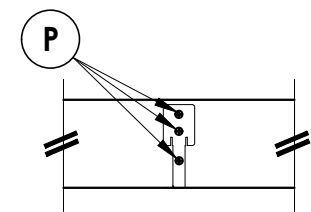


OXO

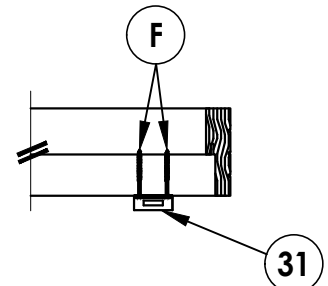
STRIKE MULLION



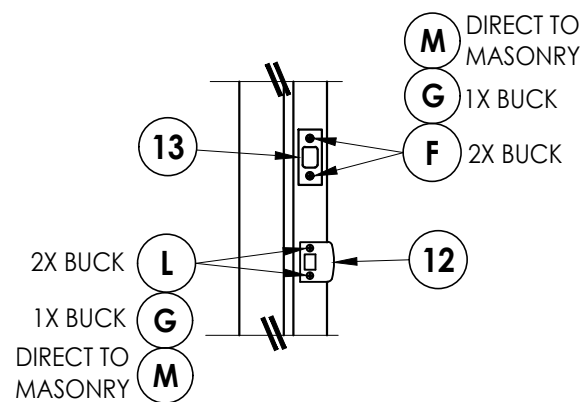
HINGE DETAIL



DETAIL 1



SURFACE BOLT GUIDE PLATE DETAIL
© HEAD SHOWN (SILL SIMILAR)



LATCH & DEADBOLT DETAIL

Documents Prepared By:
Lyndon F. Schmidt
P.E. No. 43409

RW BUILDING CONSULTANTS, INC.
P.O. Box 230, Valrico, FL 33595
Phone No.: 813.659.9197
FBPE Registry No. 9813

PRODUCT: DOORSCAPES
FIBERGLASS DOOR

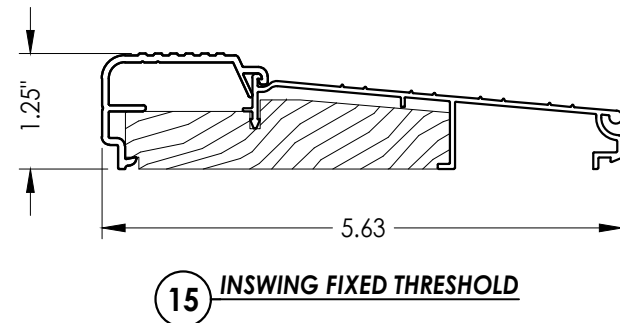
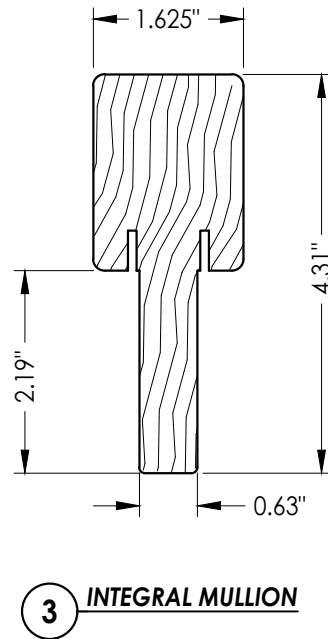
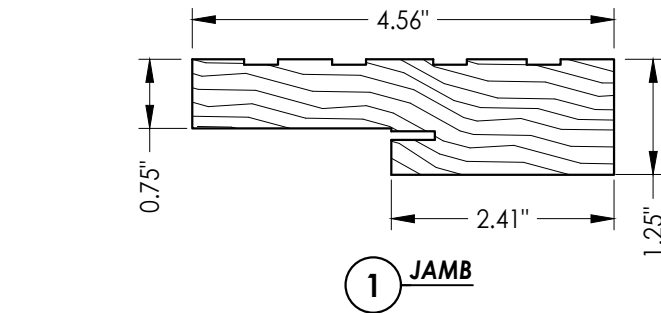
PART OR ASSEMBLY:
FRAME ANCHORING
& HARDWARE DETAILS

NO.	DATE	DESCRIPTION	BY
1	8/02/23	UPDATE TO 8TH ED. (2023) FBC	LFS

DATE: 3/07/22
SCALE: N.T.S.
DWG. BY: LFS
CHK. BY: RW
DRAWING NO.: FL-28833.2
SHEET 11 OF 12

BILL OF MATERIALS

ITEM #	DESCRIPTION	MATERIAL
A	1X BUCK (G >= 0.42)	WOOD
B	2X BUCK (G >= 0.42)	WOOD
C	1/4" MAX. SHIM SPACE	-
D	1/4" X 2-3/4" PFH DeWALT OR ITW CONCRETE SCREW	STEEL
E	MASONRY - 3,000 PSI MIN. CONCRETE CONFORMING TO ACI 301 OR HOLLOW BLOCK CONFORMING TO ASTM C90	CONCRETE
F	#10 X 2-1/2" PFH WOOD SCREW (1.15" MIN. EMBEDMENT)	STEEL
G	3/16" X 3-1/4" PFH ITW CONCRETE SCREW	STEEL
H	1/4" X 2-1/4" PFH DeWALT OR ITW CONCRETE SCREW	STEEL
J	1/4" X 3-3/4" PFH DeWALT OR ITW CONCRETE SCREW	STEEL
K	#10 X 2" PFH WOOD SCREW	STEEL
L	#8 X 2-1/2" PFH WOOD SCREW	STEEL
M	3/16" X 2-1/4" PFH ITW CONCRETE SCREW	STEEL
P	#7 X 2-1/2" DRYWALL SCREW	STEEL
1	JAMB (PINE, G >= 0.4)	WOOD
3	INTEGRAL MULLION (PINE, G >= 0.4)	WOOD
7	WEATHERSTRIP	FOAM
8	DOOR/SIDELITE BOTTOM SWEEP	VINYL
9	#9 X 3/4" PFH WOOD SCREW	STEEL
11	4" X 4" BUTT HINGE	STEEL
12	LATCH STRIKE PLATE	STEEL
13	DEADBOLT STRIKE PLATE	STEEL
15	INSWING THRESHOLD (AFCO A-280)	ALUM/WOOD
30	8" SURFACE BOLT (HAGER 275D)	STEEL
31	SURFACE BOLT GUIDE PLATE	STEEL
40	DOOR PANEL - SEE DOOR PANEL DETAIL SHEET FOR DETAILS	-
50	SIDELITE PANEL - SEE SIDELITE PANEL DETAIL SHEET FOR DETAILS	-



CONCRETE ANCHOR NOTES:

- Concrete anchor locations at the corners may be adjusted to maintain the min. edge distance to mortar joints.
- Concrete anchor locations noted as "MAX. ON CENTER" must be adjusted to maintain the min. edge distance to mortar joints, additional concrete anchors may be required to ensure the "MAX. ON CENTER" dimension are not exceeded.
- Concrete anchor table:

ANCHOR TYPE	ANCHOR SIZE	MIN. EMBEDMENT	MIN. CLEARANCE TO MASONRY EDGE	MIN. CLEARANCE TO ADJACENT ANCHOR
ITW BUILDEX TAPCON®	3/16"	1-1/4"	3"	1-1/2"
	1/4"	1-1/4"	2"	4"
DeWALT ULTRACON®	1/4"	1-1/4"	1"	4"

WOOD SCREW INSTALLATION NOTES:

- Maintain a minimum 5/8" edge distance, 1" end distance, & 1" o.c. spacing of wood screws to prevent the splitting of wood.

Documents Prepared By:
Lyndon F. Schmidt
P.E. No. 43409

RW BUILDING CONSULTANTS, INC.
P.O. Box 230, Valrico, FL 33595
Phone No.: 813.659.9197
FBPE Registry No. 9813

PRODUCT:
DOORSCAPES
FIBERGLASS DOOR

PART OR ASSEMBLY:
BILL OF MATERIALS
& COMPONENTS

NO.	DATE	DESCRIPTION	LFS	BY
1	8/02/23	UPDATE TO 8TH ED. (2023) FBC		

REVISIONS

DATE: 3/07/22
SCALE: N.T.S.
DWG. BY: LFS
CHK. BY: RW
DRAWING NO.: FL-28833.2
SHEET 12 OF 12